

**PLEASE CHECK WWW.MOLEX.COM FOR LATEST PART INFORMATION**

**Part Number:** [0050841030](#)  
**Status:** **Active**  
**Overview:** [mlx](#)  
**Description:** 2.13mm (.084") Diameter MLX™ Power Crimp Housing Plug, 3 Circuits

**Documents:**

[3D Model](#) [Product Specification PSX-42022-0002 \(PDF\)](#)  
[Drawing \(PDF\)](#) [RoHS Certificate of Compliance \(PDF\)](#)  
[Product Specification PS-42022-0001 \(PDF\)](#)

**Agency Certification**

CSA LR19980  
 UL E29179

**General**

Product Family Crimp Housings  
 Series [42021](#)  
 Comments Glow Wire Equivalent Part Number [366430003](#)  
 MolexKits Yes  
 Overview [mlx](#)  
 Product Name MLX™

**Physical**

Circuits (maximum) 3  
 Circuits Detail 3  
 Color - Resin Natural  
 Flammability 94V-2  
 Gender Male  
 Glow-Wire Compliant No  
 Keying to Mating Part None  
 Lock to Mating Part Yes  
 Material - Resin Nylon  
 Number of Rows 1  
 Packaging Type Bag  
 Panel Mount No  
 Pitch - Mating Interface (in) 0.250 In  
 Pitch - Mating Interface (mm) 6.35 mm  
 Polarized to Mating Part Yes  
 Stackable No  
 Temperature Range - Operating -55°C to +105°C

**Electrical**

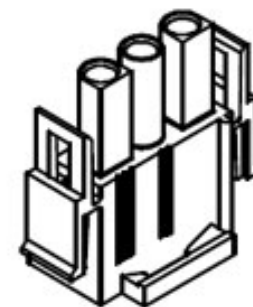
Current - Maximum per Contact 13.5A

**Material Info**

Old Part Number 42021-3A

**Reference - Drawing Numbers**

Packaging Specification PK-42021-\*\*  
 Product Specification PS-42022-0001, PSX-42022-0002  
 Sales Drawing SD-42021-\*\*, SDIN-42022-0001



Series

image - Reference only

**EU RoHS**

**ELV and RoHS Compliant**  
**REACH SVHC**  
 Not Reviewed  
**Halogen-Free Status**

**China RoHS**



**Need more information on product environmental compliance?**

Email [productcompliance@molex.com](mailto:productcompliance@molex.com)  
 For a multiple part number RoHS Certificate of Compliance, [click here](#)

Please visit the [Contact Us](#) section for any non-product compliance questions.

**Search Parts in this Series**

[42021Series](#)

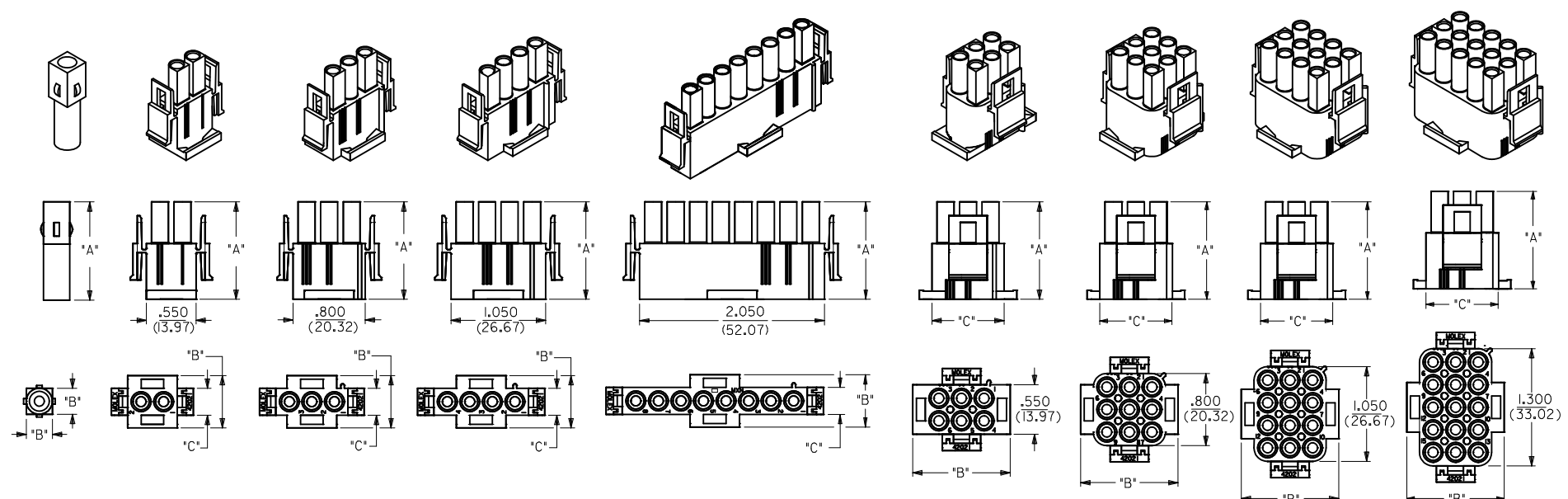
**Mates With**

[42002 MLX™ Power Connector Header](#),  
[42022 MLX™ Pin and Socket Receptacle](#),  
[43255 MLX™ Power Connector Header](#)

**Use With**

MLX Crimp Terminal [42023](#) , [42024](#)

13 12 11 10 9 8 7 6 5 4 3 2 1

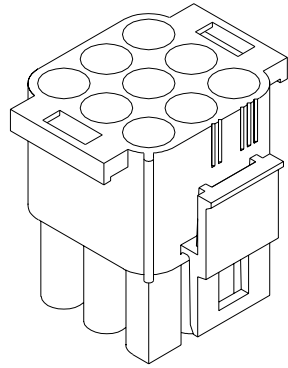


<b>ENTER DESCRIPTION</b> EC NO: I2009-0552 DRWN: HMR01 CHKD: KPRASAD APPR: KPRASAD 2009/12/01 2009/12/02 2009/12/15	<b>QUALITY SYMBOLS</b> ▽=0 ▽=0	<b>GENERAL TOLERANCES (UNLESS SPECIFIED)</b>		<b>DIMENSION STYLE</b> IN/MM	<b>SCALE</b> 1:1	<b>DESIGN UNITS</b> INCH	THIRD ANGLE PROJECTION	
		4 PLACES ± --- ± ---	3 PLACES ± --- ± .010	DRAWN BY RK	DATE 87/11/16	<b>TITLE</b> HOUSING, PLUG .084/(2.13) DIA. SERIES		
		2 PLACES ± 0.25 ± 0.14	1 PLACE ± 0.36 ± ---	CHECKED BY GWF	DATE 87/11/16	MOLEX INCORPORATED		
		ANGULAR ± ---°	DRAFT WHERE APPLICABLE MUST REMAIN WITHIN DIMENSIONS	APPROVED BY GWF	DATE 87/11/16	MATERIAL NO. SEE TABLE	DOCUMENT NO. SD-42021-**	SHEET NO. 1 OF 2

12 11 10 9 8 7 6 5 4 3 2 1

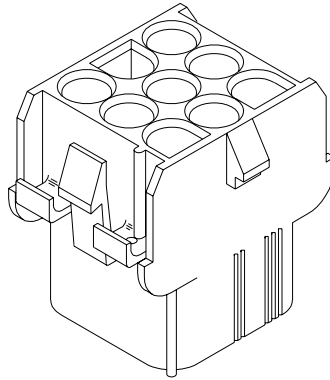


PLUG HOUSING



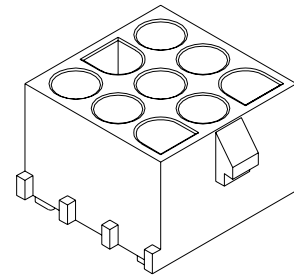
SD-42021-A (V-2)  
SD-42021-B (V-0)

CAP HOUSING



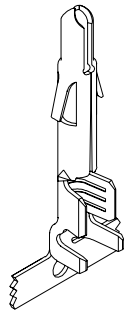
SD-42022-A (V-2)  
SD-42022-B (V-0)

HEADER ASSEMBLY



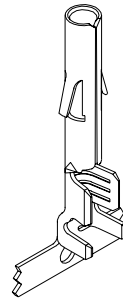
SDA-42002-A1-I (V-2, PIN TERMINALS)  
SDA-42002-B1-I (V-0, PIN TERMINALS)  
SDA-42002-A2-I (V-2, SOCKET TERMINALS)  
SDA-42002-B2-I (V-0, SOCKET TERMINALS)

SPLIT PIN TERMINAL



SD-42023-2A1 (BRASS, TIN PLATED)  
SD-42023-2A2 (BRASS, GOLD PLATED)  
SD-42023-2B1 (PHOSPHOR BRONZE, TIN PLATED)  
SD-42023-2B2 (PHOSPHOR BRONZE, GOLD PLATED)

SOCKET TERMINAL



SD-42024-1A1 (BRASS, TIN PLATED)  
SD-42024-1A2 (BRASS, GOLD PLATED)  
SD-42024-1B1 (PHOSPHOR BRONZE, TIN PLATED)  
SD-42024-1B2 (PHOSPHOR BRONZE, GOLD PLATED)

REV	REV	DESCRIPTION
	B	PEG NO. I2004-0443 DRWN: BSS 26/04/04 CHK: GJ 26/04/04 APPR: GJ 26/04/04

QUALITY SYMBOLS	MAJOR =	CRITICAL =
-----------------	---------	------------

GENERAL TOLERANCES: (UNLESS SPECIFIED)	SCALE N.T.S.	DESIGN UNITS <input type="checkbox"/> mm <input checked="" type="checkbox"/> INCH
4 PLACES ±0. ±.	DRAWN BY & DATE MAB 08/05/92	CHECKED BY & DATE KBP 08/05/92
3 PLACES ±0. ±.	APPROVED BY & DATE RAS 08/05/92	CAD FILENAME SDIN42002.DGN
2 PLACES ±0. ±.	ANGULAR: ± 1/2 °	MATERIAL NO. PRELIMINARY
1 PLACE ±0. ±.	DRAFT WHERE APPLICABLE MUST REMAIN WITHIN DIMENSIONS	DRAWING NO. SDIN-42022-0001

DIMENSIONS: <input type="checkbox"/> mm <input checked="" type="checkbox"/> INCH <input type="checkbox"/> mm ONLY	SHT	REV
30° IRD ANGLE PROJECTION	REVISE ON CAD ONLY	
TITLE: MLX CONNECTOR FAMILY		
MOLEX INCORPORATED		
SHEET NO. 1 OF 1	SIZE C	

THIS DRAWING CONTAINS INFORMATION THAT IS PROPRIETARY TO MOLEX INCORPORATED AND SHOULD NOT BE USED WITHOUT WRITTEN PERMISSION.	
--	--